

## UNIKA 500

Kitchen Sinks

Code: N265 F50

UNIKA BOWL 50x40 À FLEUR



### DETAILS

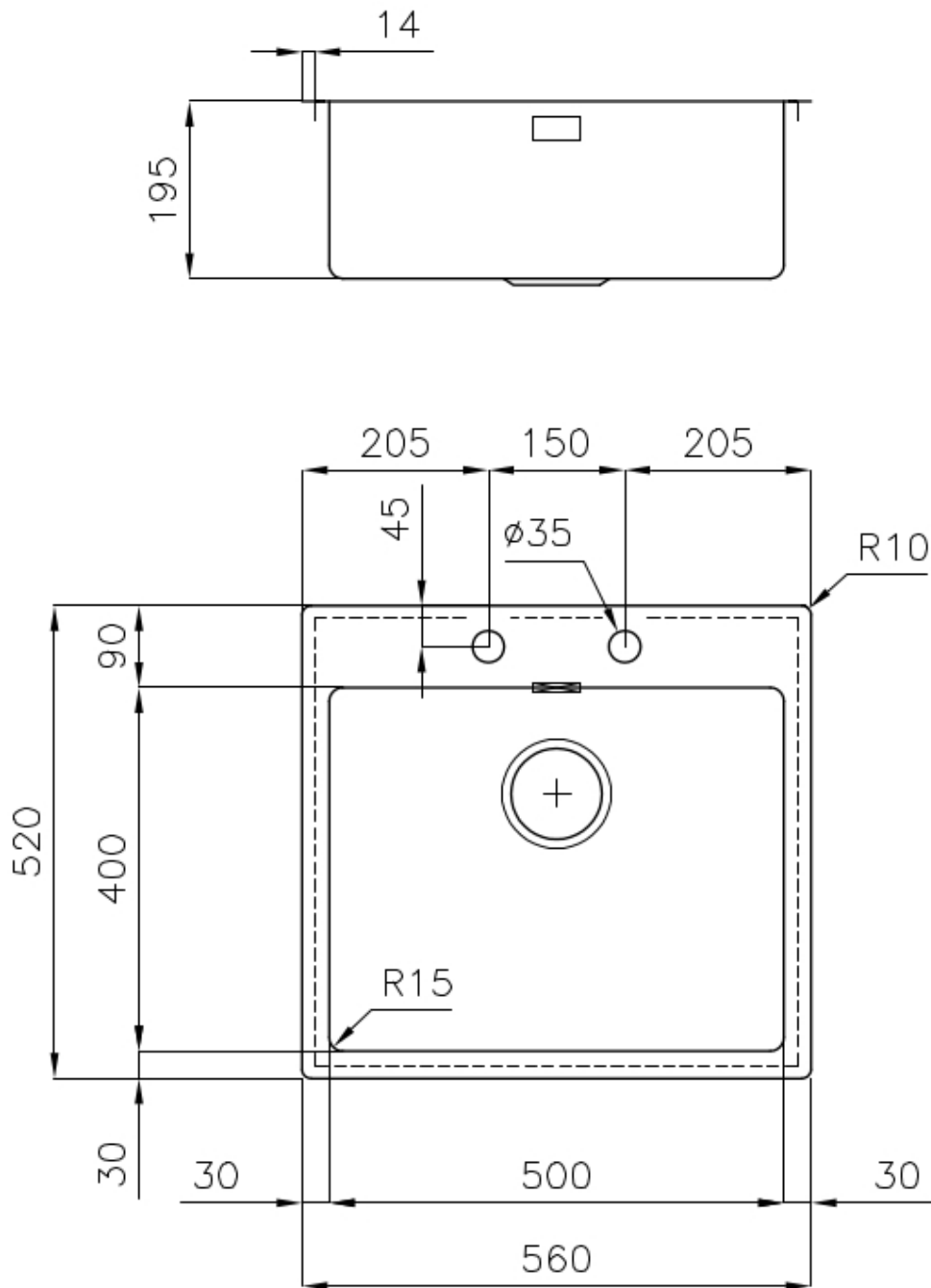
Edge/Installation Type	Flush-mount   Top-mount
Finish	Foster brushed
Material	AISI 304 stainless steel
Texture	Foster brushed
Base	60 cm
Dimensions	560x520 mm
Standard fittings	Fixing hooks, gasket, drain, overflow and siphon, boxed packing
Mixer holes	2 standard holes
Built-in hole	View technical data sheet

Drainer	No
Width	56 cm
Bowl dimension	500x400mm
Number of bowls	1 bowl
Waste fitting	Drain with automatic PM control

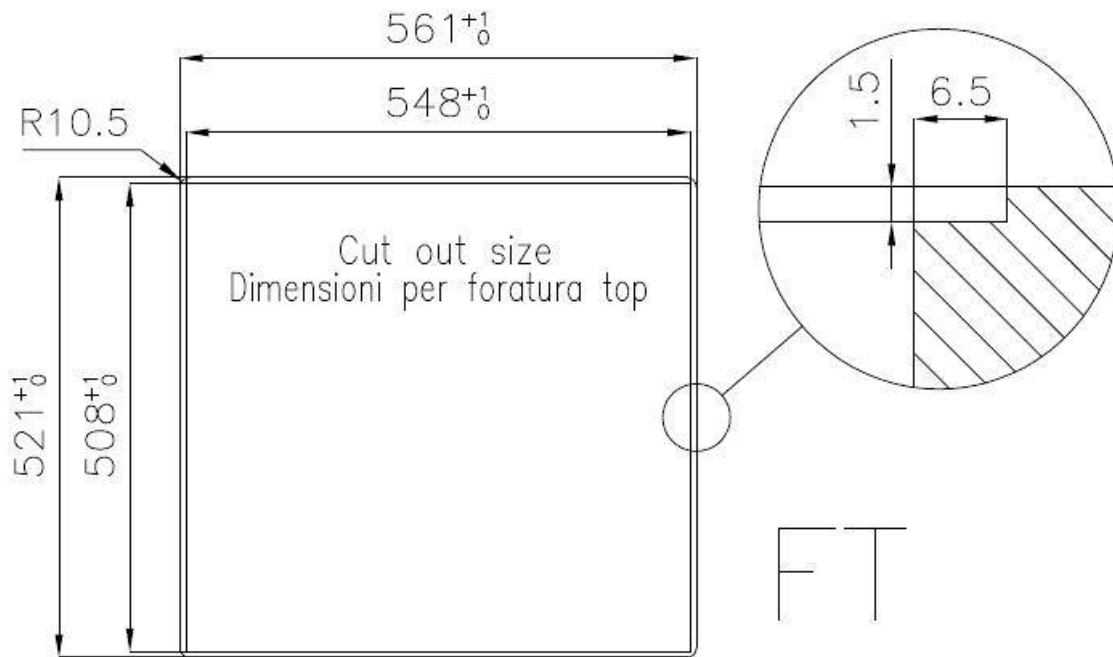
## FEATURES

Double mixer hole	The large tap counter is already fitted with a series of 2 tap holes. In the second hole it is possible to install the remote control of the automatic drain or, alternatively, a practical soap dispenser.
High thickness	1mm thick steel. A significant thickness, which guarantees the maximum sturdiness and durability.
Automatic waste fitting	The waste-fitting with round remote knob is supplied; a practical accessory which makes it unnecessary to get wet in order to drain the water from the bowl.
Basket 3,5" waste fitting	The drain is equipped with a large 3.5" drain, with the practical basket cap that prevents the discharge of solid parts.
Perimetral overflow	The overflow is always a security on the Foster sinks that prevents the overflow of water in case of oversights. The perimeter drain solution improves aesthetics thanks to its square and essential shape.
Small radius	Bowls with squared shapes with a modern design and an increased capacity, for a minimal aesthetics connected with an extreme practicality.
Deep bowls	This bowls reach an important depth, over 20 cm, thanks to the advanced production technology, that can be offer great capieny and practicality in all the washing operations.

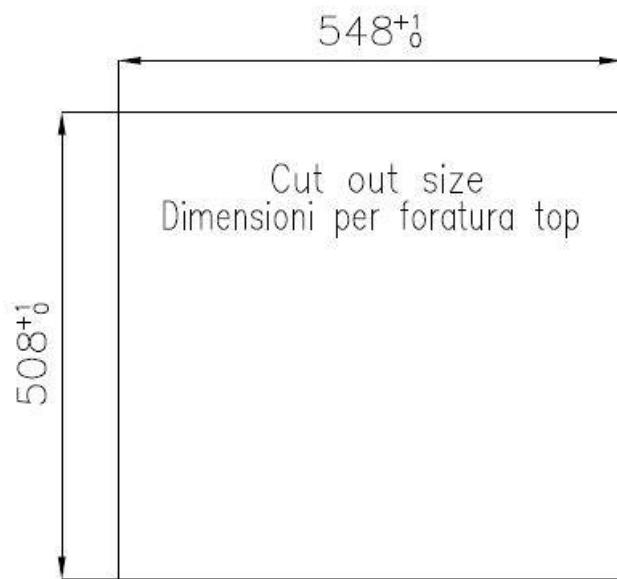
## TECHNICAL DATA



## Lavello serie KE cod. 2265/050

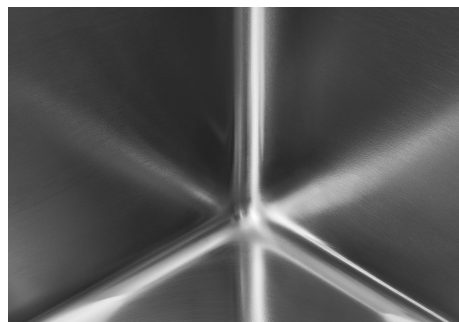


F



FTS

### GALLERY



## OPTIONAL ACCESSORIES



**CUVETTE PERFOREE INOX**

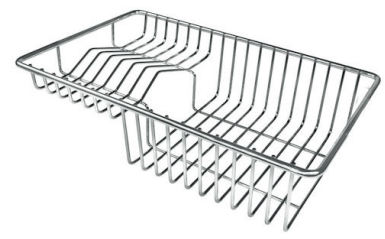
A154 F00

\* only in combination with the accessory  
A644 F04



**CUVETTE PLASTIQUE BLANCHE**

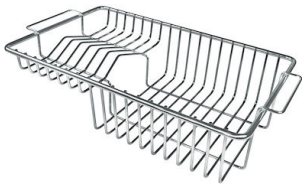
A153 A00



**GRILLE POR.ASSIETTES INOX  
mm214x379**

A100 C03

\* only in combination with the accessory  
A644 A01



**GRILLE PORTE-ASSIETTES INOX**

**250x425**

A100 B01



**GRILLE PORTE-ASSIETTES INOX**

**25x35**

A100 A54

\* only in combination with the accessory  
A644 F04



**PLANCHE DE DECOUPE CRYSTAL**

**23x41 CM**

A631 C00



**PLANCHE DE DECOUPE DOUBLE  
HDPE**

A644 A01



**PLANCHE DE DECOUPE DOUBLE  
IROKO**

A644 F04



**PLANCHE DE DECOUPE HDPE**

**27x42 CM**

A657 F01



## **CUVETTE INOX PERFOREE**

A151 F00

\* only in combination with the accessory  
A644 A01



## **KIT RÂPES ET PLANCHE DE DECOUPE HDPE**

A159 A01

\* only in combination with the accessory  
A644 A01